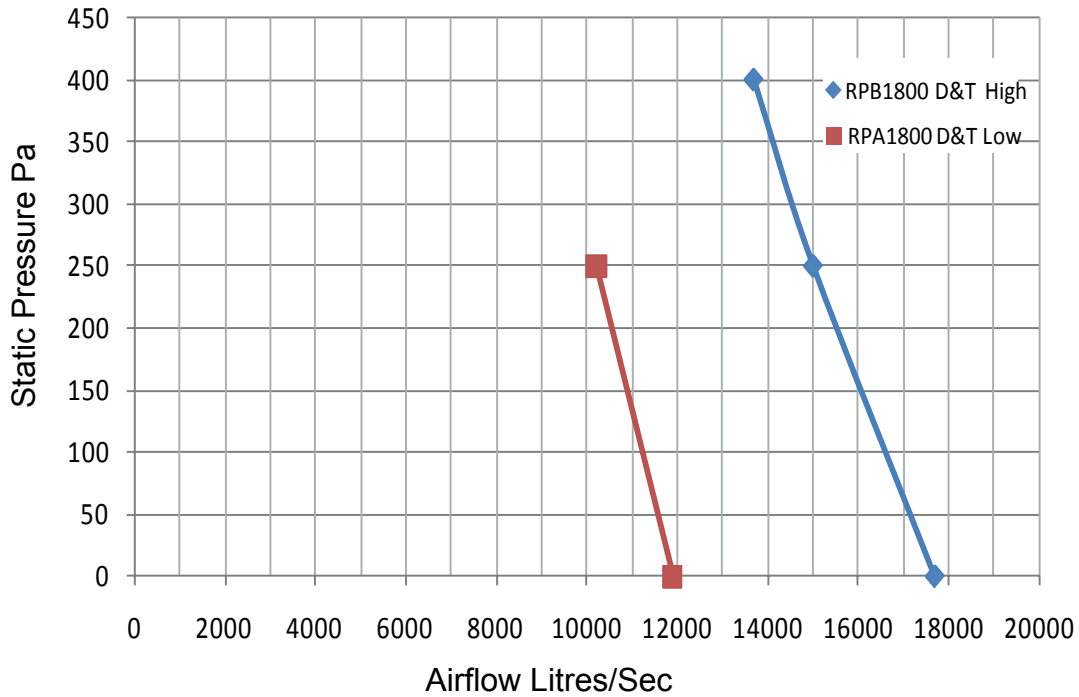


RPA1800 D&T Technical Detail

|                 |       |                     |           |                    |               |
|-----------------|-------|---------------------|-----------|--------------------|---------------|
| <b>CAPACITY</b> |       | <b>BLOWER WHEEL</b> |           | <b>FILTER PADS</b> |               |
| Discharge Type: | D, T  | Dia x Width mm      | 820 x 800 | Size Top mm        | 795 x 580 (8) |
| High L/s        | 17690 | Shaft mm            | 40.00     | Size Bot mm        | 795 x 890 (8) |
| Low L/s         | 12052 | Pulley mm           | 615 x 2B  | Area m2            | 9.35          |
|                 |       | Speed RPM           | 453 : 304 | Velocity m/s       | 1.89          |
|                 |       | Outlet mm           | 890 x 890 | Material           | Chilcel       |
| <b>SHIPPING</b> |       | <b>PUMP</b>         |           | <b>MOTOR</b>       |               |
| Height mm       | 2050  | Rating Watt         | 50        | Type:              | 2 Speed 3 ph. |
| Length mm       | 2100  |                     |           | Speed RPM          | 1465 : 985    |
| Width mm        | 2100  |                     |           | Rating kW          | 15.0 : 6.7    |
| Volume m3       | 9.04  |                     |           | Current AMP        | 26.0 : 14.4   |
| Mass kg         | 513   | <b>RESERVIOR</b>    |           | Supply             | 415V 50 Hz    |
| Net Unit kg     | 473   | Capacity Litres     | 100       | Pulley             | 190 x 42 x 2B |
| Operating kg    | 573   | Drain Size : Thread | 48 : 40   |                    |               |

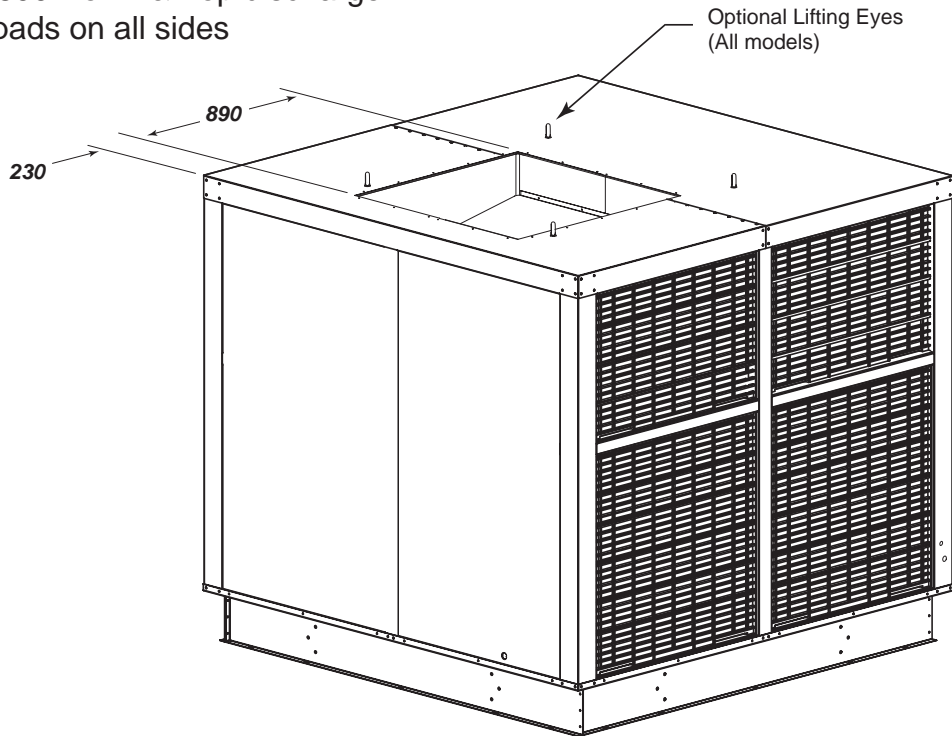
RPB1800 D&T Fan Curves



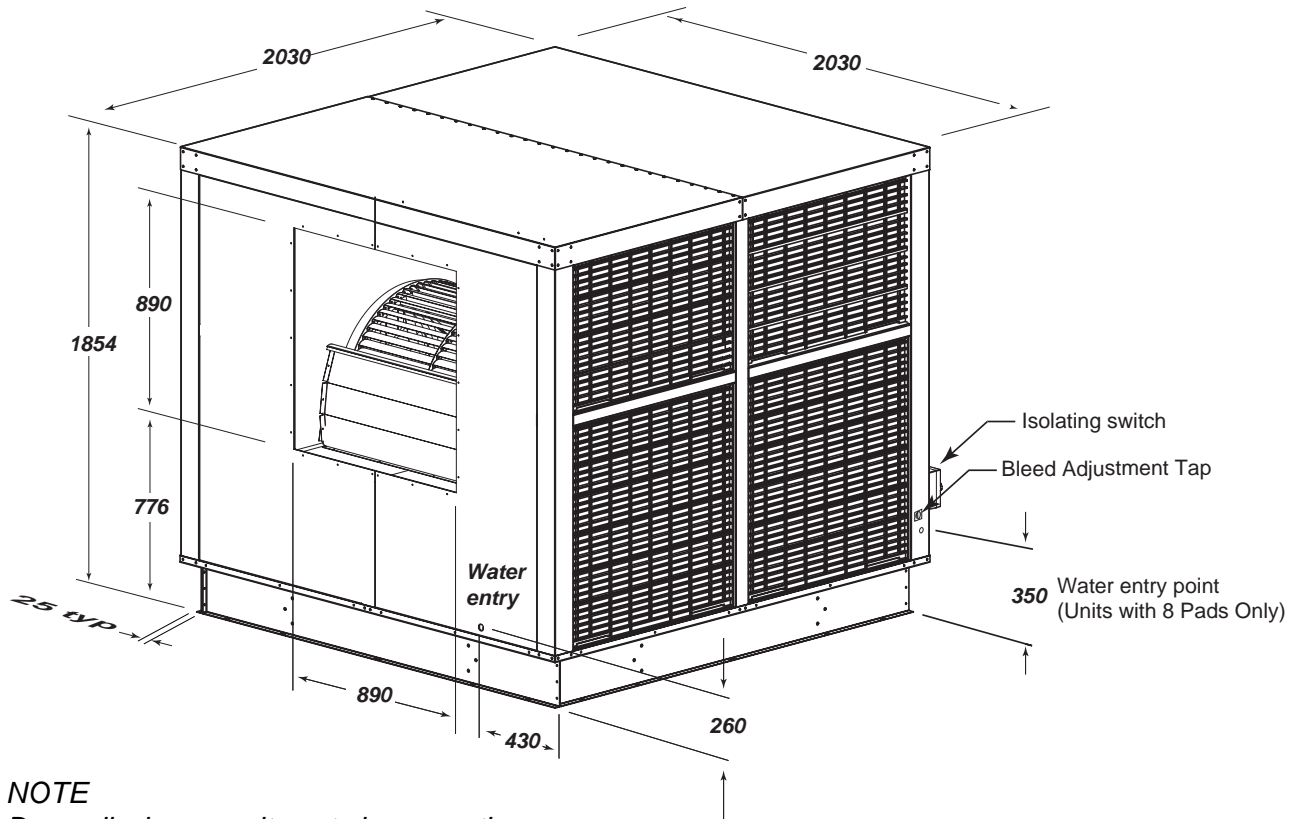
Note: Fan curves shown are at constant rated current - free discharge.

**RPB1200 - 1800 Cabinet Details**

RPB1200-1500 Top discharge Shown  
 RPB1800 Down & Top discharge  
 have pads on all sides



RPB1200 - 1800 Side discharge Shown



**NOTE**  
 Down discharge units not shown as they  
 are dimensionally the same as above. For  
 outlet details refer to section 5.5

PRODUCT IMPROVEMENT 

SAFETY ALERT 

QUALITY ALERT 

## RPB, RPA and RPC Commercial Two Speed Coolers

Due to pending changes in some state safety regulations, as well as energy management becoming increasingly important to all Australian business Braemar Commercial 2 speed wall switches will now come standard with 2 Green Neon Indicators.

The individual neon's on the wall switch will illuminate to indicate when either the pump (cool) or the fan motor (fan) has been switched on. This will allow office and factory personnel to identify at a glance if the Coolers fan or pump are running.

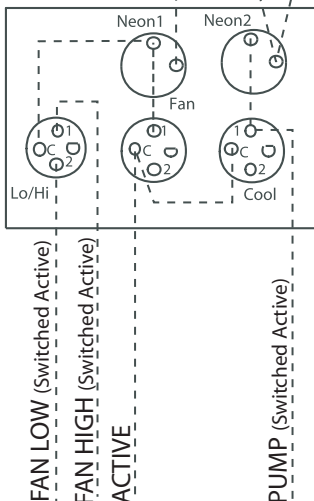
All coolers manufactured from Serial Number C0902xxxx will have the new wall switch included.



Part Number  
633305

WALL SWITCH

Rear View



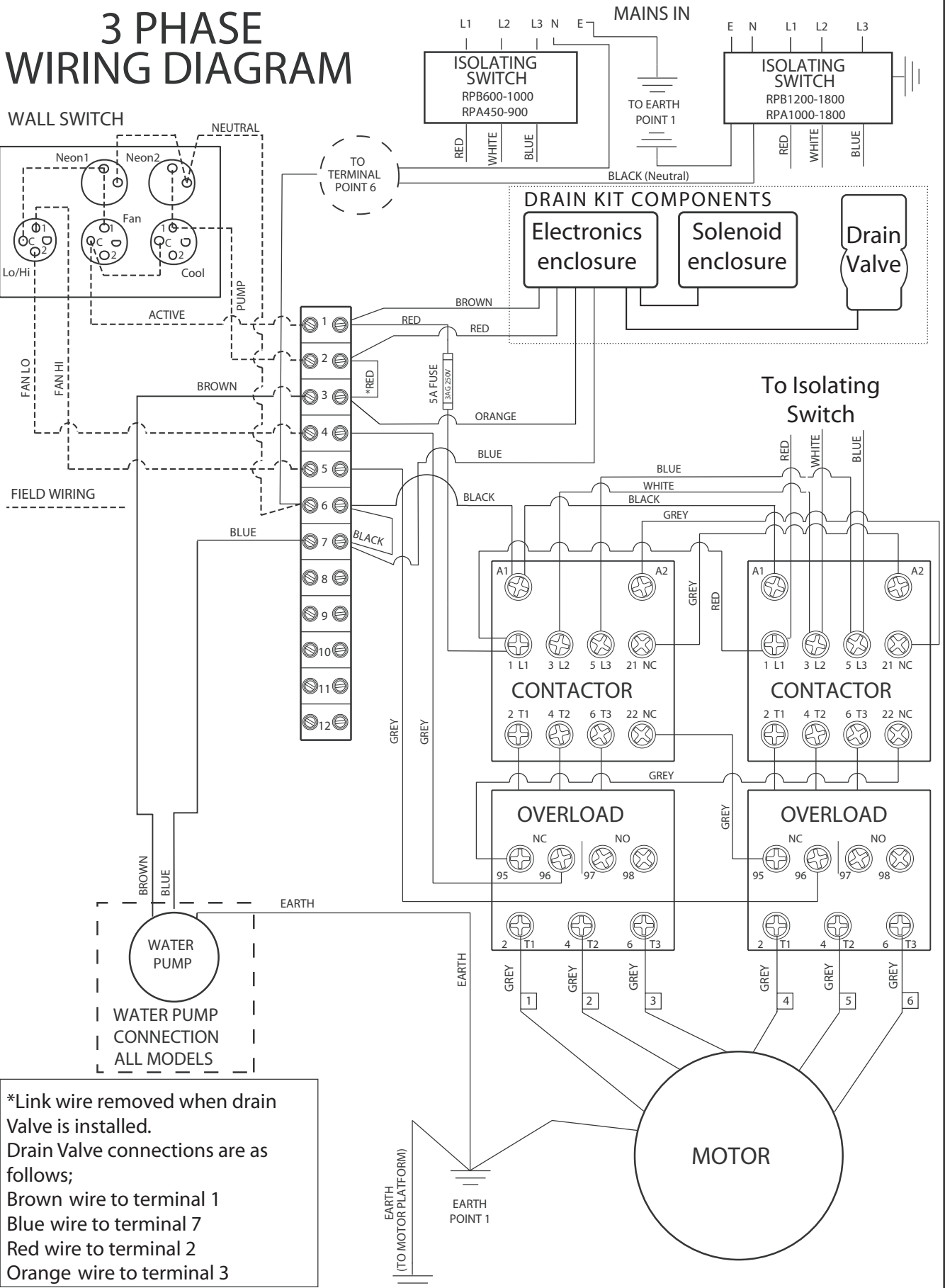
Required wiring from the cooler control box to the wall switch.

- Active x 1
- Switched Active x 3
- Neutral x 1

New Wire Required

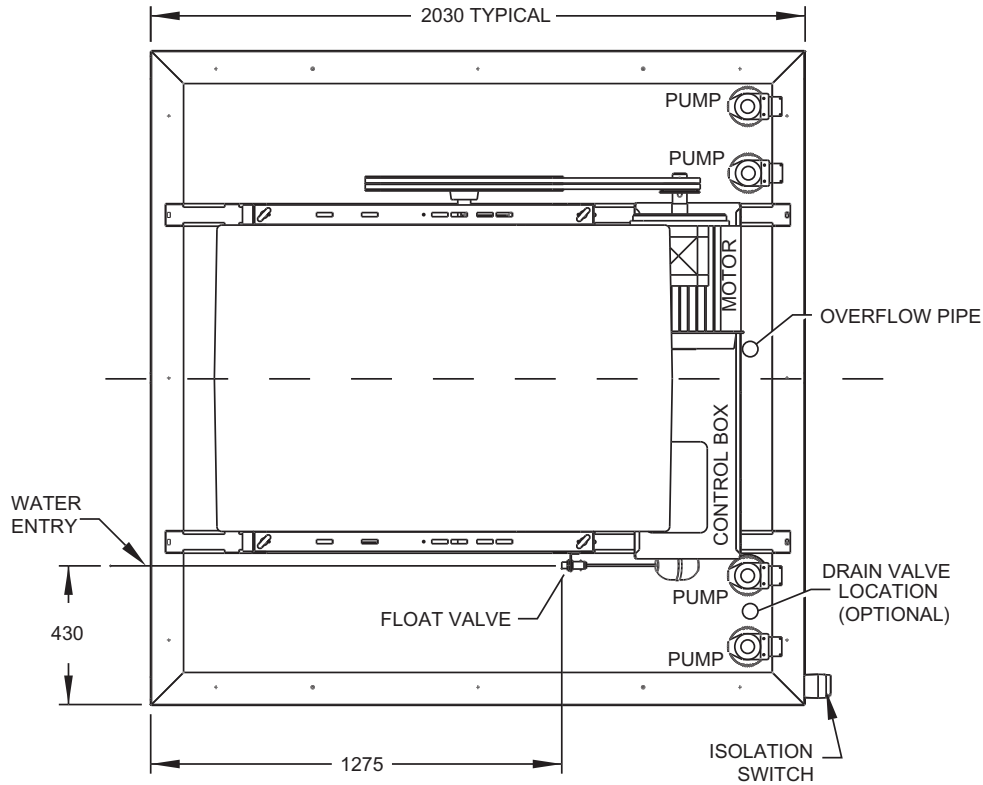
**THESE WIRING INSTRUCTIONS FOR UNITS MADE FROM MARCH 2009  
AFTER THE INTRODUCTION OF NEON INDICATORS**

**3 PHASE  
WIRING DIAGRAM**

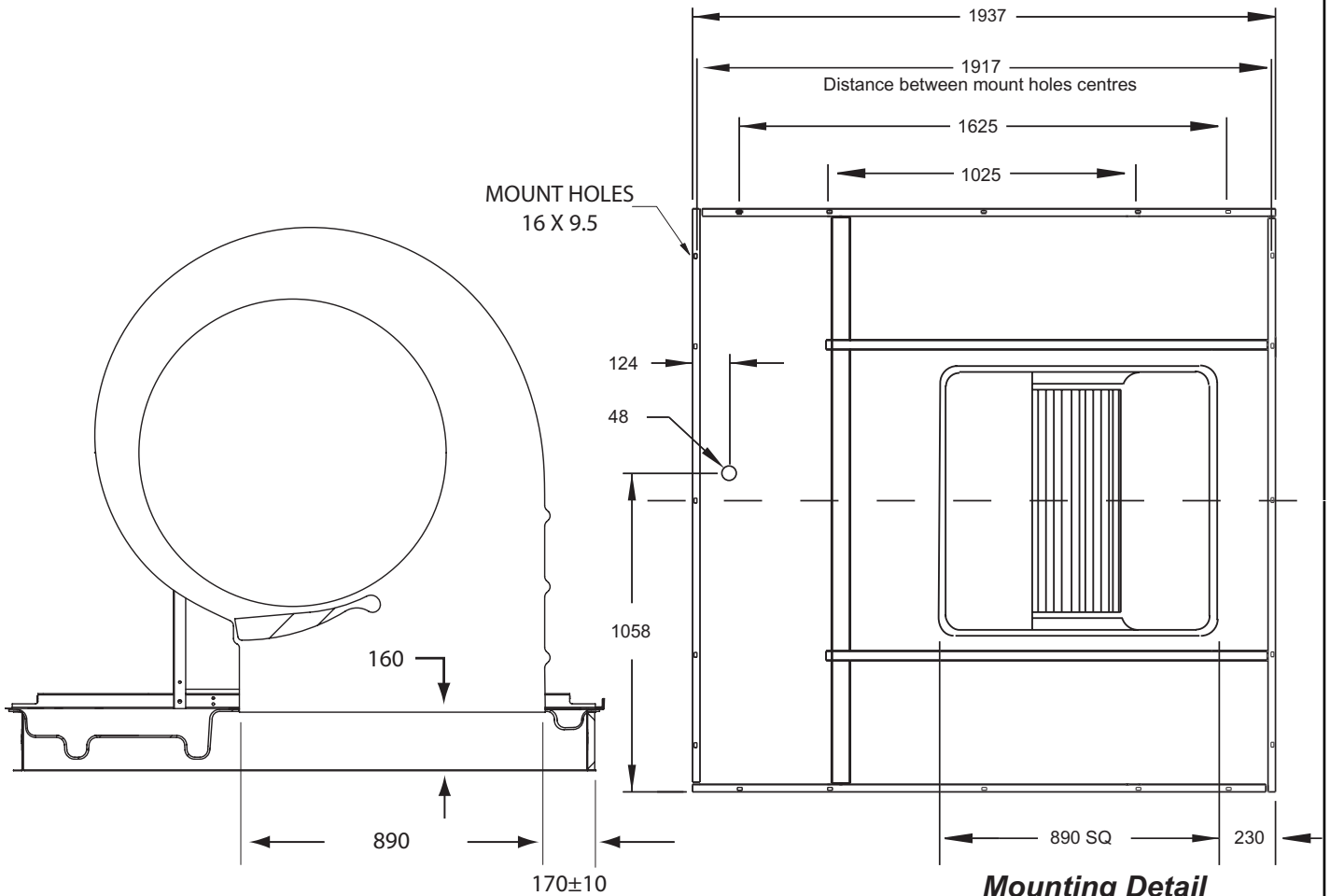


\*Link wire removed when drain Valve is installed.  
Drain Valve connections are as follows;  
Brown wire to terminal 1  
Blue wire to terminal 7  
Red wire to terminal 2  
Orange wire to terminal 3

**RPB1200 - 1800 Services & Mounting Details**



**Services Layout**  
VIEWED FROM TOP



**Mounting Detail**

VIEWED FROM BOTTOM

It is the policy of Seeley International to introduce continual product improvement. Accordingly, specifications are subject to change without notice. Please consult with your dealer to confirm the specifications of the model selected.

Manufacturers and Designers of Technically Advanced Quality Heating and Cooling Products.....Oct 2005 issue 1